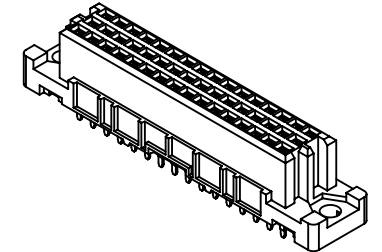
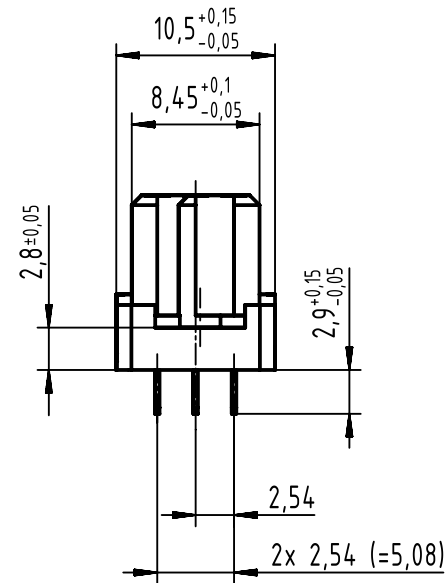


B (2:1)



09 23 248 6824 222	2
part no.	performance level 1

1 further information see: DS 09032120001

	All Dimensions in mm Original Size DIN A3	Scale 1:1	Free size tol. complementary IEC 60603-2	Ref. Sub.
	All rights reserved Department EC PD - DE	Created by STORCK	Inspected by TADJE	Standardisation HOFFMANN
HARTING Electronics GmbH D-32339 Espelkamp	Title DIN Signal type 2C female solder 2.9mm 48-pole NFF			Doc-Key / ECM-Nr. 100181948/UGD/102/A 500000116195
	Type TB	Number 0923248X824222	Date 2017-03-01	State Final Release
				Rev. A Page 1/1